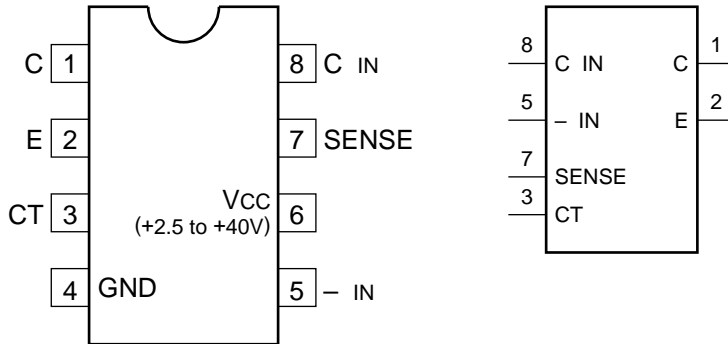

DC-DC CONVERTER CONTROLLER

-TOP VIEW-



INPUT

- C IN ; DRIVE COLLECTOR
- CT ; TIMING CAPACITOR
- IN ; COMPARATOR INVERTING
- SENSE ; I PEAK SENSE

OUTPUT

- C ; SWITCH COLLECTOR
- E ; SWITCH EMITTER

